



Total Food-Service Solutions

## Modular Cooking – Oriental

### Gas Wok Range

NGK 80/S



\*Due to routine technical improvement, the photograph shown may not represent the latest design of the products.

#### AVAILABLE MODEL

1. NGK 80/S

#### DESCRIPTION

Gas Wok Range with 2x33 kW power rate. Sturdy, compact, and suitable for various methods of cooking. The Nayati Low-Pressure Wok Range is perfect for every kind of kitchen and facility. The unit is equipped with a heavy-duty removable wok ring, durable cast iron burner and a waterspout guaranteeing high-performance cooking and easy cleaning.



ITEM# : \_\_\_\_\_

MODEL# : \_\_\_\_\_

NAME : \_\_\_\_\_

SN : \_\_\_\_\_

#### MAIN FEATURE

- Powerful burner reinforced with efficient atmospheric burner.
- Unit to be installed free standing.
- Slanted top panel, ensuring water to go in to the back drain.
- Equipped with top panel cooling water system.
- Gas Setting can be used with LPG or LNG.

#### CONSTRUCTION

- All Exterior panel is stainless steel.
- Full weld top panel of the wok for maximum hygiene
- Top mounted by 1.2mm of Stainless Steel.
- Adjustable  $\pm 25$  mm Stainless Steel leg.

#### INCLUDED ACCESSORIES

- Igniter Hand Lighter

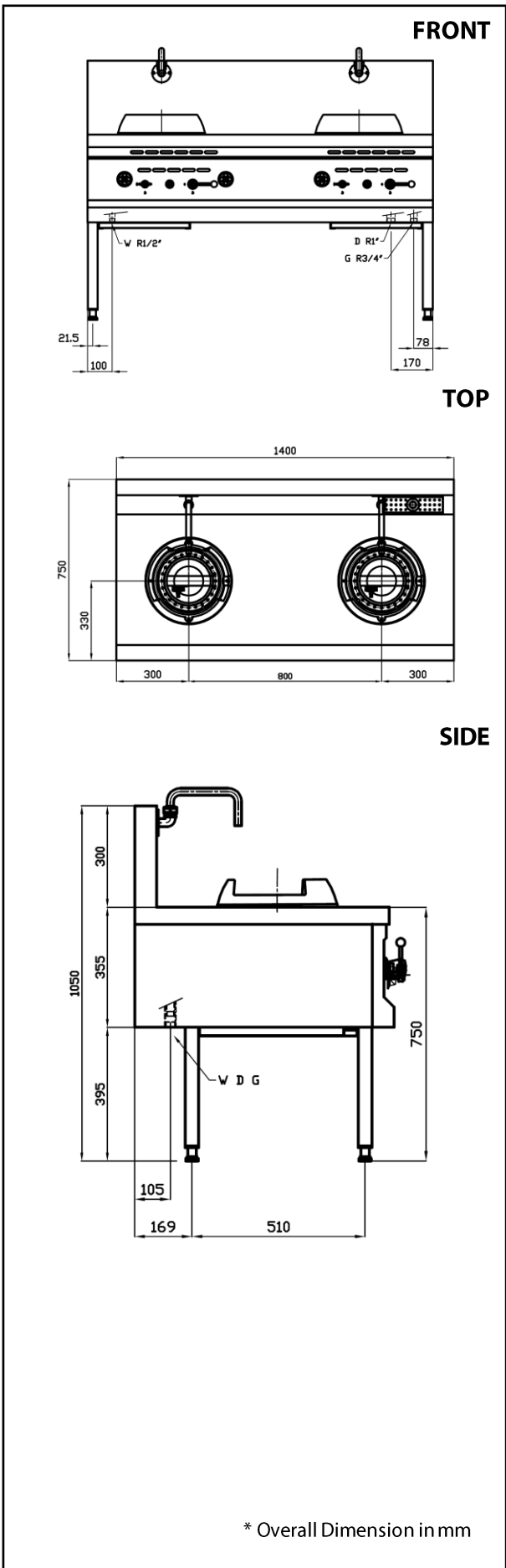
#### OPTIONAL ACCESSORIES

- N/A

\_\_\_\_\_

The company reserves the right to make modifications to the products without prior notice. All information correct at time of printing.  
2018.06.28





\* Overall Dimension in mm

**GAS**

- Gas Consumption (wok) : 66 kW (56,760 kCal/h)
- Gas Type Option : G20,G25,G30/G31
- Gas Connection : 3/4"
- LPG Gas Pressure : G30: 28 mbar

**KEY INFORMATION**

- Unit dimension (WxDxH) : 1400x750x1050 mm
- Number of Burner (Wok) : 2

**PACKING DETAILS**

- Shipping width : -
- Shipping depth : -
- Shipping height : -
- Shipping volume : -
- Gross weight : -



\_\_\_\_\_

The company reserves the right to make modifications to the products without prior notice. All information correct at time of printing. 2018.06.28